

SP Series

Elevate your sound.

Get the most out of your speakers with the SP series. Available in 26 and 32-inch models, these low-profile speaker stands feature a rotating top plate to ensure every sound reaches your ears. Each stand is built with heavy-duty steel to reduce undesirable vibration and features a hollow core to conceal cables and speaker wire. For maximum stability, two top plate sizes are provided, each with a mounting hole and ¼" – 20 screw to secure your YU4, YU6 or other compatible speakers in place. Interchangeable spiked and domed feet are also included for carpet and hardwood flooring. Available with a black or white powder coated finish.



FEATURES & SPECIFICATIONS

- Rotating top plate ensures speakers are perfectly angled
- Foam padding and a heavy steel base reduce vibration and improve overall sound quality
- Hollow interior and bottom channels help to conceal cables and speaker wire
- Includes spiked and domed feet for carpet and hardwood flooring
- Interchangeable top plates measure 4.3" W x 7.1" L (11 cm x 18 cm) and 7" W x 7" L (17.8 cm x 17.8 cm)
- Sold as a pair
- Two year manufacturer's warranty
- SP26PL - UPC: 800152717487
- SP26PLW - UPC: 800152718712
- Shipping box weight: 36.2 lb (16.4 kg)
- Shipping box dimensions: 25.9" x 9.9" x 3.3" (65.8 x 25.1 x 8.3 cm)
- Product weight: 34.4 lb (15.6 kg)
- SP32PL - UPC: 800152717494
- SP32PLW - UPC: 800152718729
- Shipping box weight: 38.1 lb (17.3 kg)
- Shipping box dimensions: 31.9" x 9.9" x 3.3" (81 x 25.1 x 8.3 cm)
- Product weight: 35.9 lb (16.3 kg)

TECHNICAL ILLUSTRATIONS



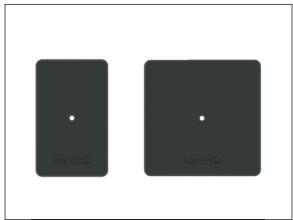
ROTATING TOP-PLATE

Adjust the position of the top-plate to ensure your speakers are always angled towards you.



IMPROVED SOUND QUALITY

Foam padding and heavy-duty steel help to reduce vibration and improve overall sound quality.



MAXIMUM STABILITY

7-inch and 4-inch wide top plates are provided to accommodate different size speakers. Each plate features a mounting hole and 1/4" - 20 screw to secure YU4, YU6 or other compatible speakers in place.



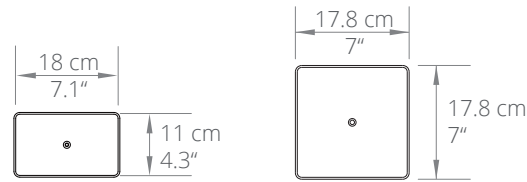
CABLE MANAGEMENT

Conceal your power cable and speaker wire by routing them through the stand's center column.

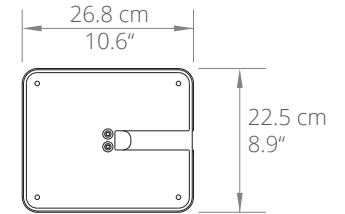


INTERCHANGEABLE FEET

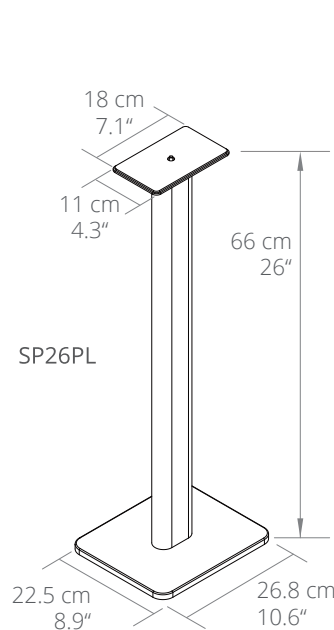
Spiked feet are provided to keep the stands securely planted on carpet. To avoid damage to hardwood flooring, domed rubber feet are also included.



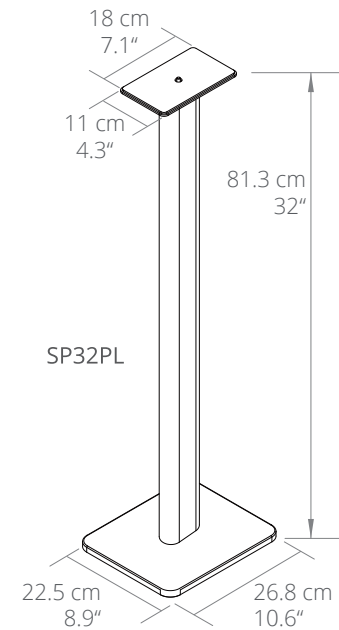
Top Plate



Bottom Plate



SP26PL



SP32PL